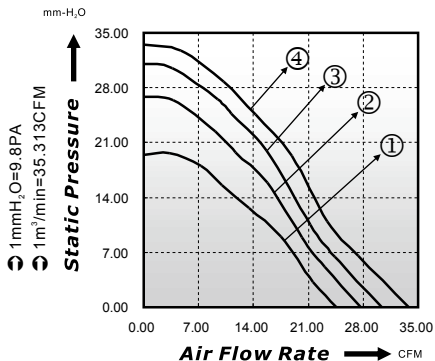


97x97x33mm

Model A

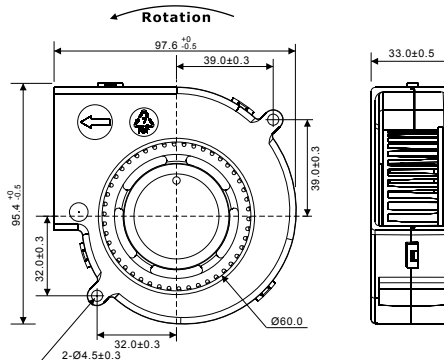


P-Q Curve (At Rated Voltage)



Dimensions Drawing

Unit: (mm)



Model No	Bearing (*)	Rated Voltage (VDC)	Rated Current (A)	Power Consumption (Watts)	Speed (rpm)	Air Flow (CFM)	Static Pressure (mmH ₂ O)	Noise (dBA)	Curve
EBD09733-12LL*	●	12	0.60	7.20	2800	24.597	19.41	48.7	1
EBD09733-12L*	●	12	0.80	9.60	3200	27.651	26.81	52.3	2
EBD09733-12M*	●	12	1.20	14.40	3600	30.357	31.00	55.9	3
EBD09733-12H*	●	12	1.60	19.20	4000	33.772	33.52	57.1	4
EBD09733-24LL*	●	24	0.30	7.20	2800	24.597	19.41	48.7	1
EBD09733-24L*	●	24	0.50	12.00	3200	27.651	26.81	52.3	2
EBD09733-24M*	●	24	0.70	16.80	3600	30.357	31.00	55.9	3
EBD09733-24H*	●	24	0.90	21.60	4000	33.772	33.52	57.1	4

* Bearing Type: ○ Sleeve ● Two Ball ⊙ Hydro-Dynamic